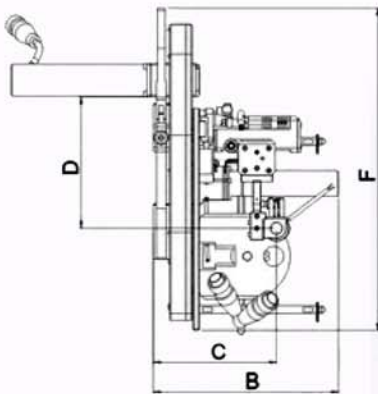
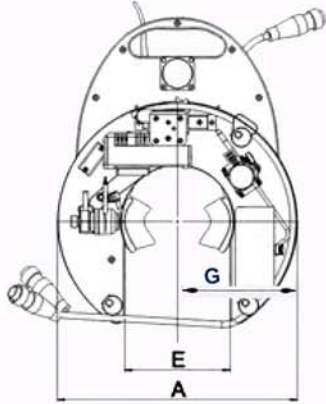


TPWH-OA SERIES (Open Weld Head with AVC and OSC for Tube and Pipe)

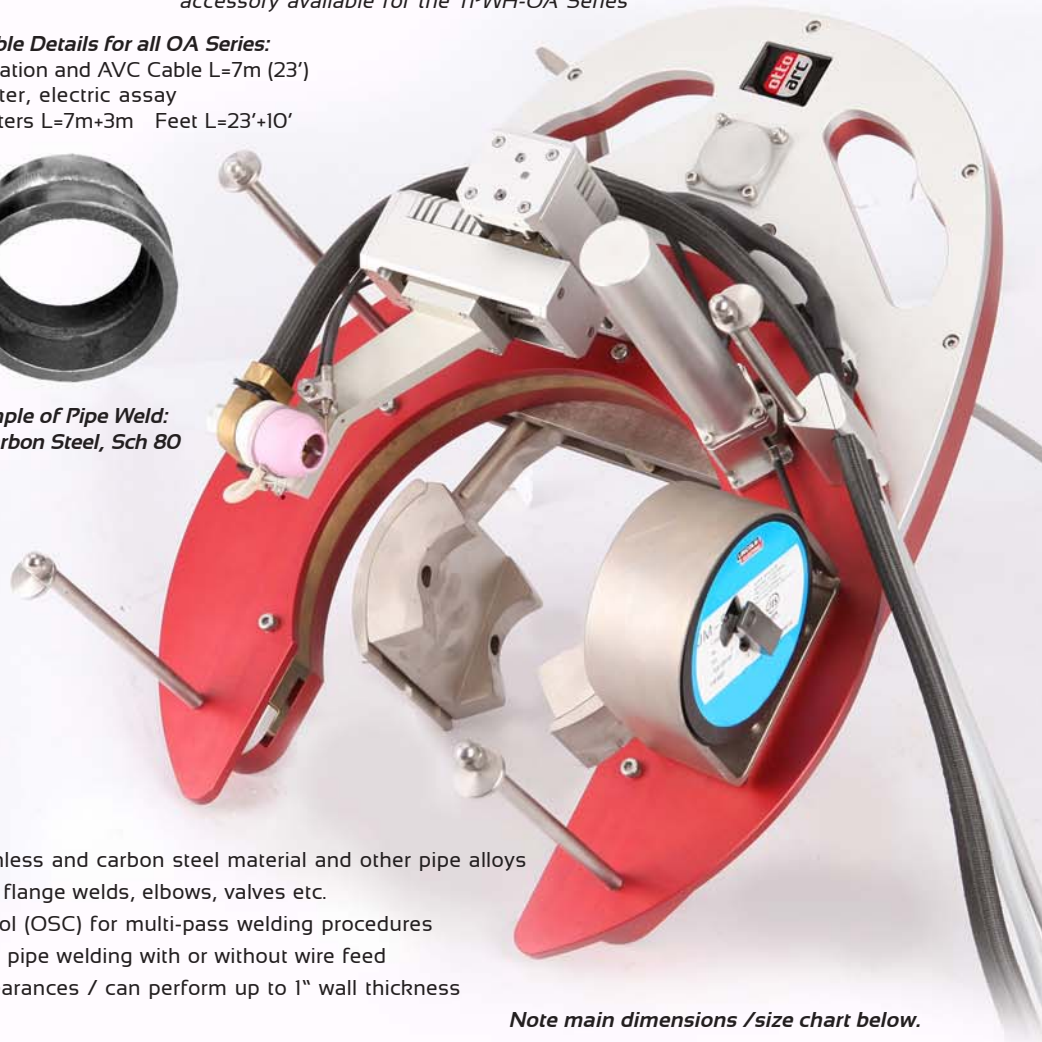
The TPWH-OA Series is designed for TIG welding on tube to tube, pipe to pipe and pipe fittings and is suitable for carbon and stainless steel. The TPWH-OA Series is used for applications that require AVC/OSC. Welds tubing and pipe for industries such as chemical, food, medicine, boilers, military and nuclear industries.

Pictured:
TPWH-OA-7 Open Weld Head internal or external wire feeder accessory available for the TPWH-OA Series

Cable Details for all OA Series:
Rotation and AVC Cable L=7m (23')
Water, electric assay
Meters L=7m+3m Feet L=23'+10'



Example of Pipe Weld:
4" Carbon Steel, Sch 80



Note main dimensions /size chart below.

PERFORMANCE

- Commonly used for medium to thick wall stainless and carbon steel material and other pipe alloys
- Used for pipe to pipe, tube to tube, butt welds, flange welds, elbows, valves etc.
- Arc voltage control (AVC) and oscillation control (OSC) for multi-pass welding procedures
- Automatic all position TIG welding for tube and pipe welding with or without wire feed
- Compact design for limited radial and axial clearances / can perform up to 1" wall thickness
- Water cooled and highly durable torch design
- **Recommended Power Unit = OW-ARC 250 and 400**

TPWH-OA Series	TPWH-OA-3	TPWH-OA-5	TPWH-OA-7	TPWH-OA-9	TPWH-OA-12
Tube OD	.75"- 3"	1.5"- 5"	2"- 7"	4.5"- 9"	6"- 12"
Tungsten Diameter	2.4, 3.2mm (3/32", 1/8")	2.4, 3.2mm (3/32", 1/8")	2.4, 3.2mm (3/32", 1/8")	2.4, 3.2mm (3/32", 1/8")	2.4, 3.2mm (3/32", 1/8")
Rotation Speed (rpm)	0.19 - 3.8	0.11-2.2	0.09-1.8	0.05-1.0	0.026-0.52mm
Protective Gas	Ar / Mixed Gases	Ar / Mixed Gases	Ar / Mixed Gases	Ar / Mixed Gases	Ar / Mixed Gases
Cooling	Water	Water	Water	Water	Water
Cable Length	9m (29')	7m (22')	7m (22')	7m (22')	7m (22')
Cooling Flow (ml/mm)	≥600	≥600	≥600	≥600	≥600
OSC Width	20mm (.75")	40mm (1.5")	40mm (1.5")	40mm (1.5")	40mm (1.5")
AVC Height	40mm (1.5")	40mm (1.5")	40mm (1.5")	40mm (1.5")	40mm (1.5")
Wire Diameter mm (inches)	0.8, 0.9, 1.0 (0.031", 0.035", 0.039")	0.8, 0.9, 1.0 (0.031", 0.035", 0.039")	0.8, 0.9, 1.0 (0.031", 0.035", 0.039")	0.8, 0.9, 1.0 (0.031", 0.035", 0.039")	0.8, 0.9, 1.0 (0.031", 0.035", 0.039")
Max Wire Feed Speed	1800mm/min (5.5in/min)	1800mm/min (5.5in/min)	1800mm/min (5.5in/min)	1800mm/min (5.5in/min)	1800mm/min (5.5in/min)
Weight kg (lbs)	5.5kg (12lbs) excludes cable	10.8kg (23lbs) excludes cable	19.5kg (43lbs) excludes cable	21.5kg (47lbs) excludes cable	36kg (79lbs) excludes cable
Dimensions (mm)	370 x 220 x 320mm	435 x 300 x 400mm	445 x 375 x 525mm	465 x 425 x 570mm	430 x 610 x 680mm
Dimensions (inches)	14.5" x 8.6" x 12.5"	17" x 12" x 15.5"	17.5" x 14.5" x 20"	18" x 16.5" x 22"	17" x 24" x 26.5"
Main Dimensions	mm (inches)	mm (inches)	mm (inches)	mm (inches)	mm (inches)
A	220mm (8.66")	300mm (11.8")	375mm (14.75")	425mm (16.73")	550mm (21.65")
B	180mm (6")	235mm (9.25")	260 (10.25")	300 (11.5")	312mm (12.3")
C	112-132mm (4.41"-5.2")	132-172mm (5.2"-6.77")	184-224mm (7.24"-8.82")	194.5-234.5mm (7.65"-9.23")	228.5-268.5mm (8.9"-10.57")
D	92mm (3.6")	165mm (6.5")	225mm (8.85")	249mm (9.8")	297mm (11.7")
E	82mm (3.23")	132mm (5.2")	184mm (7.24")	230mm (9.06")	328mm (12.9")
F	320mm (12.5")	400mm (15.5")	525mm (20")	570mm (22")	680mm (26.5")
G	110mm (4.33")	150mm (5.9")	187.5mm (7.375")	212.50mm (8.365")	275mm (10.825")